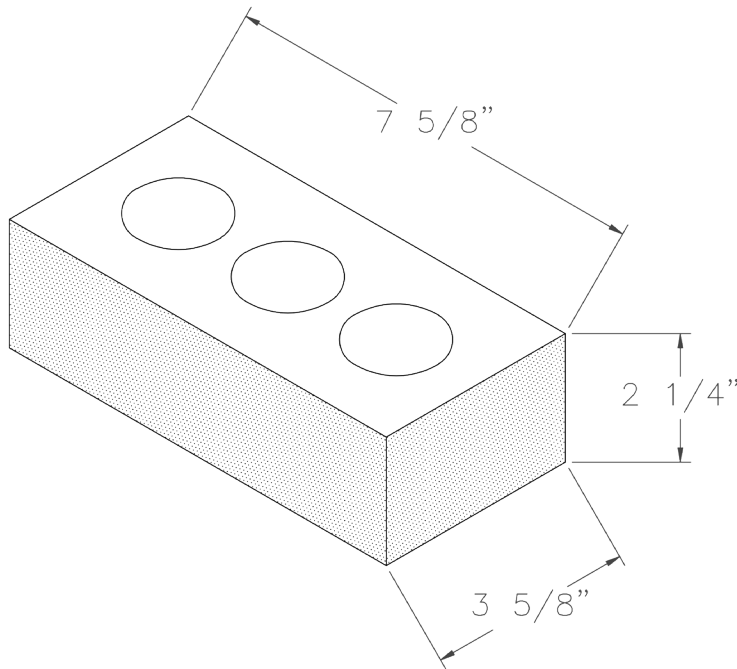




# BRICK SIZES

## Common Brick Size in Residential Design



### MODULAR brick

3-5/8 in x 2-1/4 in x 7-5/8 in • 6.86 brick per square foot

Modular brick is the most common brick size used in North America. Modular brick dimensions are 3-5/8 in (thickness) x 2-1/4 in (height) x 7-5/8 in (length).

Architects, designers, and builders will have the widest selection of color and texture available when selecting a brick in modular size. Another benefit is the ability to create more efficient layouts that minimize the number of brick that need to be cut in order to accommodate design parameters. A larger selection of non-custom shapes are also available in modular size brick than any other brick size.

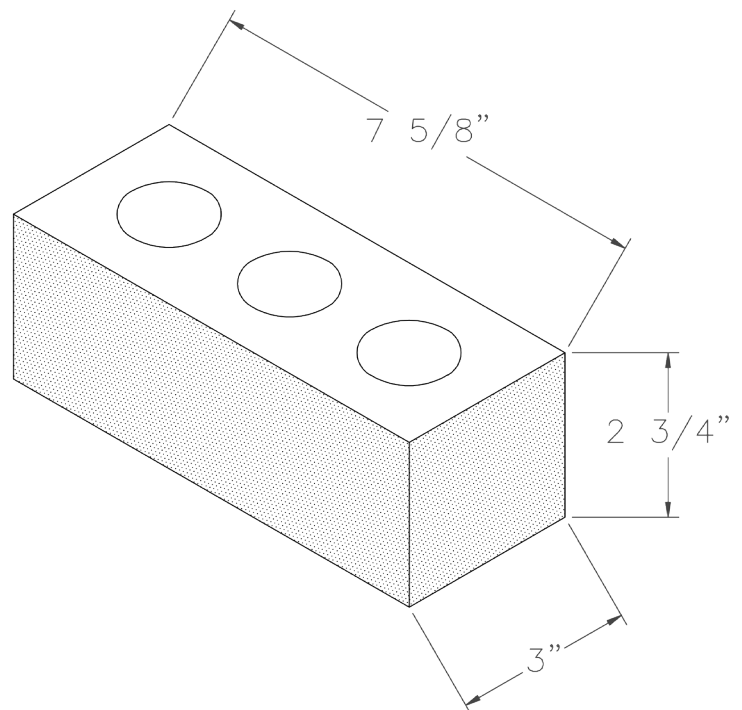
It takes 6.86 brick to cover each square foot of wall area when designing with a modular size unit. Using a typical 3/8 in mortar joint, mortar will account for approximately 20% of the wall with a modular size brick, as the brick size increases, the percentage of mortar is reduced.

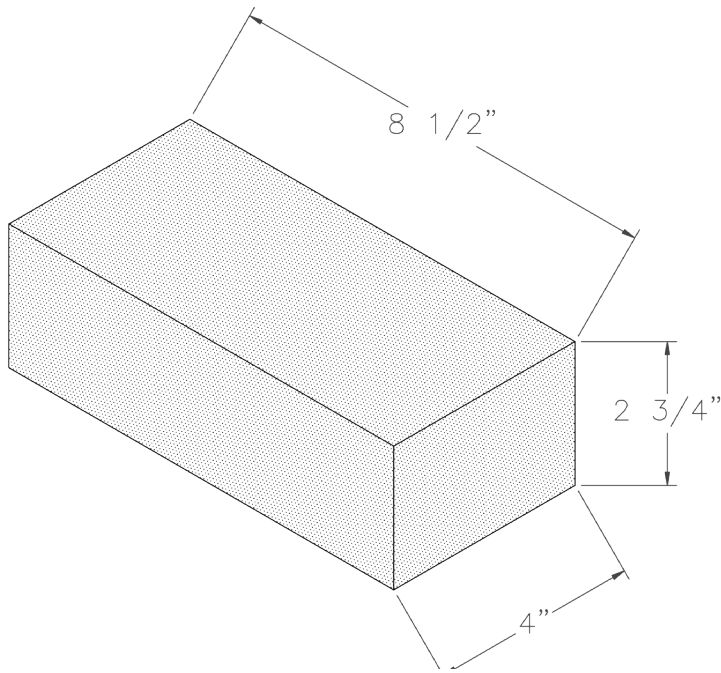
### QUEEN brick

3 in x 2-3/4 in x 7-5/8 in • 5.76 brick per square foot

Queen size brick measure 3 in (thickness) x 2-3/4 in (height) x 7-5/8 in (length) and lay 5.76 brick per square foot. A queen size is particularly popular among residential building because it is more cost efficient to install. Given the larger unit, queen size brick install faster and require less mortar.

When coursing out a queen size wall it takes five courses (rows) for every 16 inches vertically while a modular brick takes six courses (rows) for every 16 inches. In general, larger brick require fewer brick to lay and fewer joints to tool.





### HANDMADE OVERSIZED brick

4 in x 2-3/4 in x 8-1/2 in • 5.19 brick per square foot

Handmade Oversize brick are a unique and aesthetically pleasing brick selection. Each brick is crafted individually by hand to reveal the true artistry of a classic material with endless contemporary applications. No two handmade brick look identical, and that's exactly why they remain one of the most premium and sought-after brick products available. Glen-Gery's line of handmade brick is rich in character and adds variation to any design. The classic charisma of this brick is matched only by its versatility and ability to enhance any residential or commercial project.

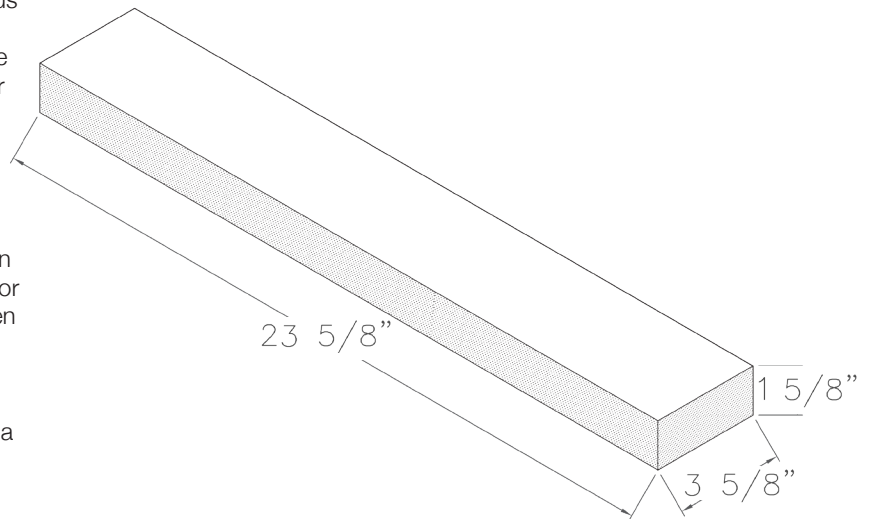
Handmade oversize is 4 in (thickness) x 2-3/4 in (height) x 8-1/2 in (length) and take 5.9 brick to cover a square foot of space, a larger unit than a modular brick. These brick are also 100% solid units, without core holes.

### ROMAN MAXIMUS brick

3-5/8 in x 1-5/8 in x 23-5/8 in • 3 brick per square foot

With a nominal length of two feet long, the Roman Maximus evokes feelings of sophistication, exclusivity, and prestige. Roman Maximus brick is characteristically longer and more linear than those of typical modern brick. They are ideal for creating a regal and distinct look to any structure.

The Maximus size measures at 3-5/8 in (thickness) x 1-5/8 in (height) x 23-5/8 (length) in and takes 3 brick per square foot. The Roman Maximus product by Glen-Gery is unique because it is packaged with more than just a single size brick. Seventy percent of the packaging for a Roman Maximus product is at the 23-5/8 in length, fifteen percent is at Roman size which is 3-5/8 in x 1-5/8 in x 11-5/8 in and the balance of the packaging is random lengths from 4 in. to 20 in. This packaging enables the mason to install the brick where no two joints align, called a Sicilian bond.



A BRAND OF

**BRICKWORKS**

Due to printing limitations, color and texture may vary from actual product. Actual brick dimensions may vary slightly depending on manufacturing facility. Final selection should always be based on an actual product sample. For more information, contact your Glen-Gery representative. © 2022 Glen-Gery Corporation • 5/22 Please consult a masonry professional to ensure proper design/installation.