

This drawing has been reviewed for dimensions, faces, and specifications and I agree to them.

Qty : \_\_\_\_\_

CATALOG SHAPE

Signature \_\_\_\_\_ Title \_\_\_\_\_ Date \_\_\_\_\_



DRAWING:  
W13-R H.M.O.S.  
WATER TABLE UNIT

PROJECT:

PAGE: 1 of 1 DATE: 3 JAN 17

ARCHITECT:

CUSTOMER:

SALES REP:

SALES OFFICE:

PLANT:

BRICK NAME:

BRICK TYPE: HANDMADE

TEXTURE:

NUMBER OF FINISHED FACES: 5

TEXTURE DIRECTION: PLANT OPTION

CORING: PLANT OPTION

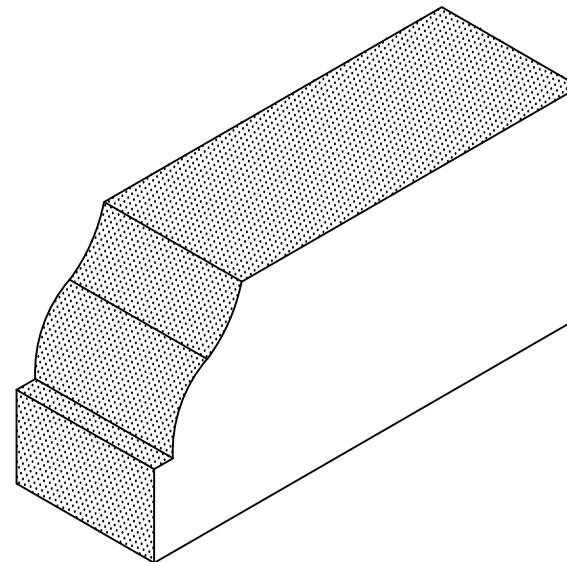
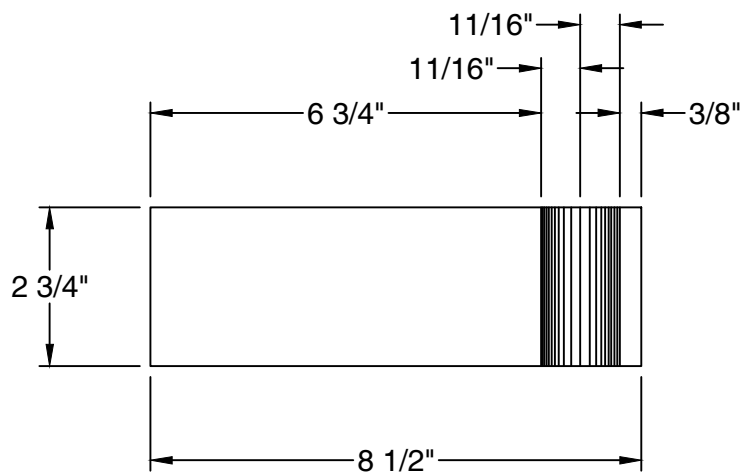
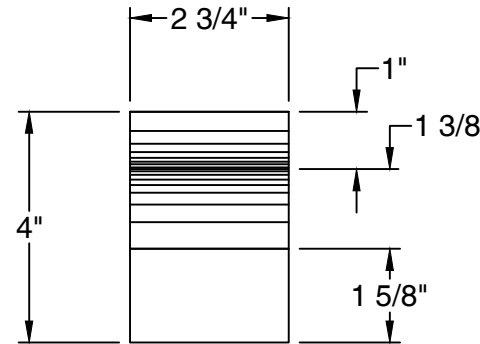
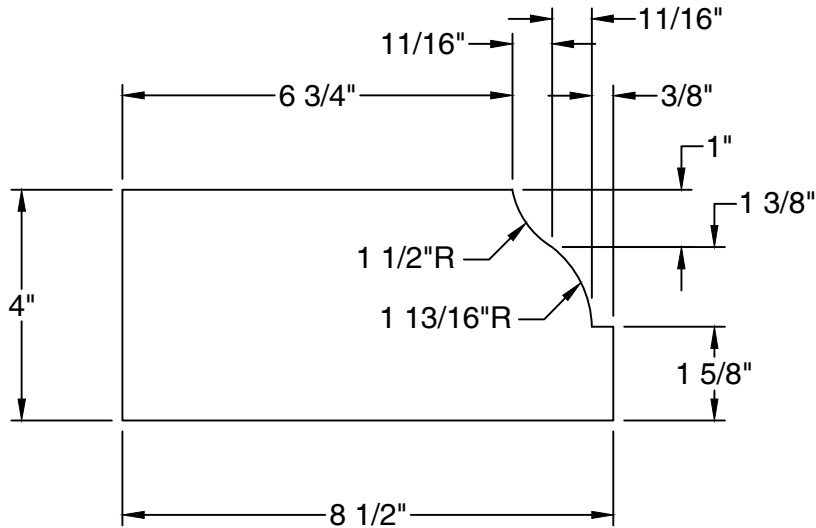
SIZE: H.M.O.S. BOND:

ASTM STANDARD: C216, FBA, SW

COMPUTER FILE: W13-R-HMOS

DRAWN BY: KEVIN LINDSTROM

This document is the property of GLEN-GERY CORPORATION and may not be reproduced without written permission from the appropriate Glen-Gery Representative. The contents of this document are advisory only. Responsibility for accuracy and applicability lies entirely with the Project Designer and/or Owner.



INDICATES FINISHED FACES