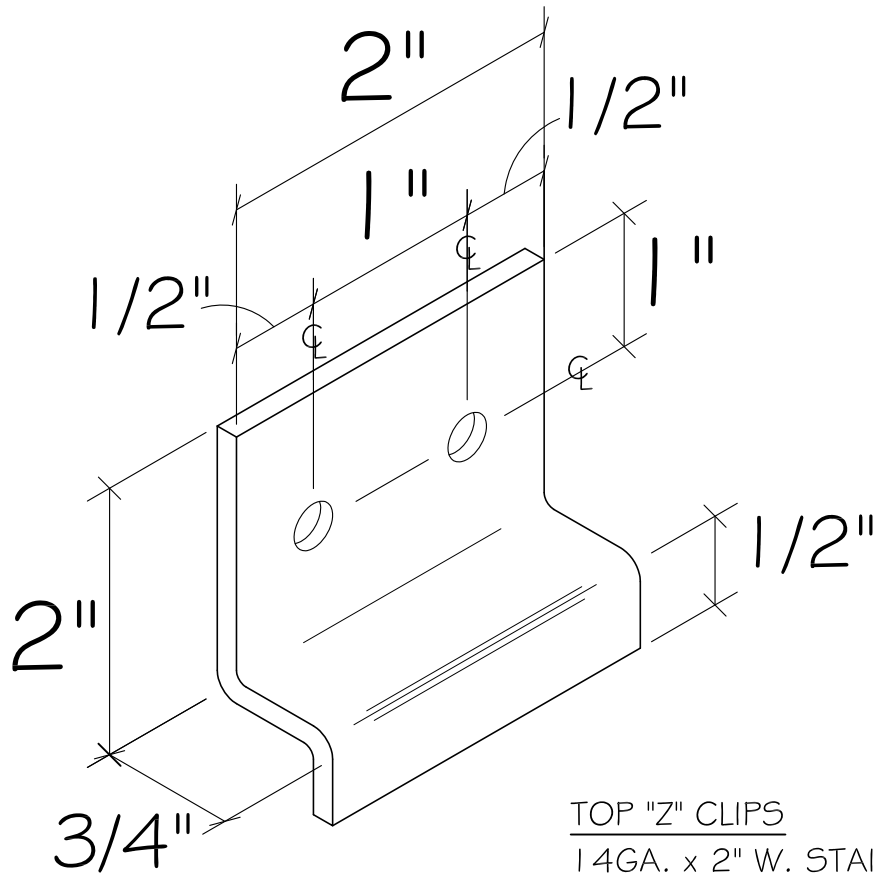




**THIN TECH<sup>®</sup>**



TOP "Z" CLIPS  
 14GA. x 2" W. STAINLESS STEEL  
 TYPE 304 BENT PLATE WITH  
 (2) 1/4" DIA. HOLES

PIECE QUANTITY:	PROJECT:	NO:
	LOCATION: NEW YORK, NEW YORK	<b>Z-1</b>
	C/O: GLEN - GERY	ISSUE DATE: 01/03/12
	DESCRIPTION: "STANDARD COMPONENT PART SHEET"	SCALE: N.T.S.