

This drawing has been reviewed for dimensions, faces, and specifications and I agree to them.

Qty : _____

Signature _____ Title _____ Date _____



DRAWING:
161° EXTERIOR CORNER
4 1/8" x 3 7/8" x 2 1/4"

PROJECT:

PAGE: _____ DATE: _____

ARCHITECT:

CUSTOMER:

SALES REP:

SALES OFFICE:

PLANT:

BRICK NAME:

BRICK TYPE:

TEXTURE:

NUMBER OF FINISHED FACES:

TEXTURE DIRECTION:

CORING:

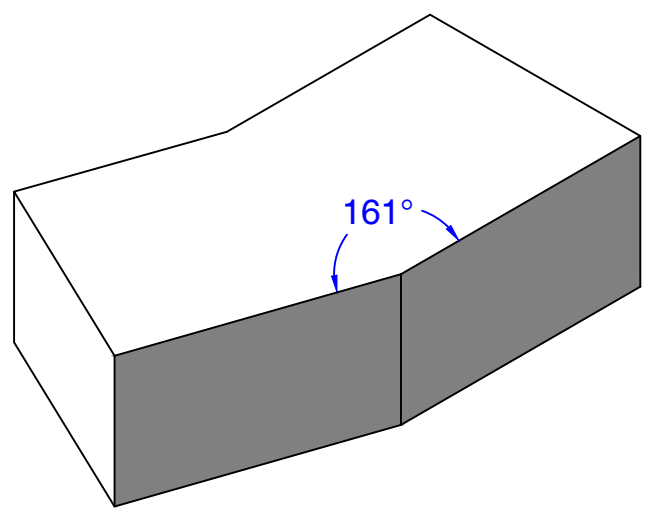
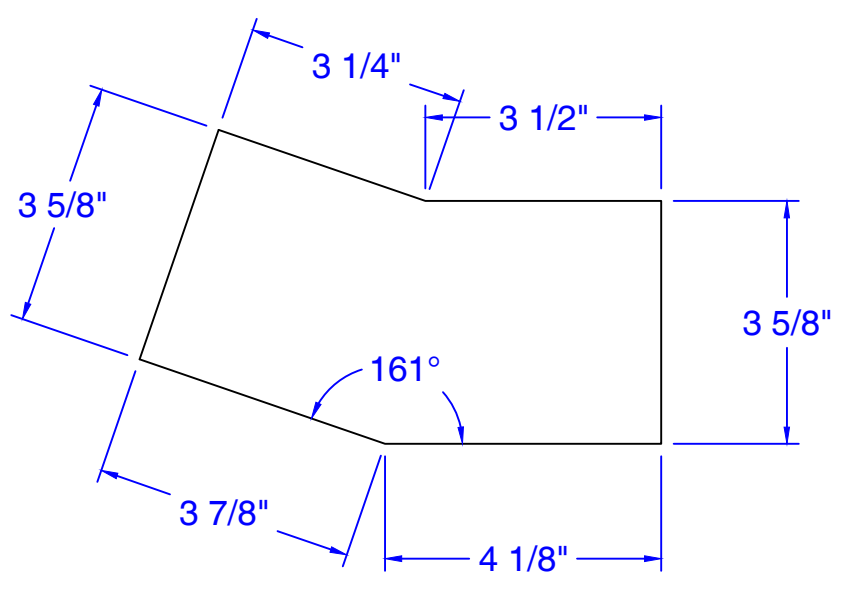
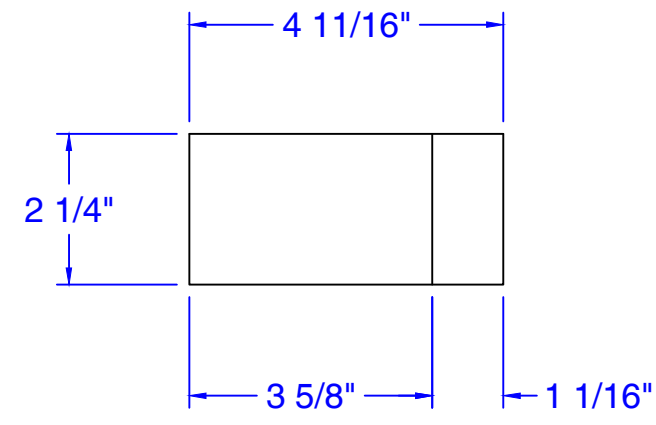
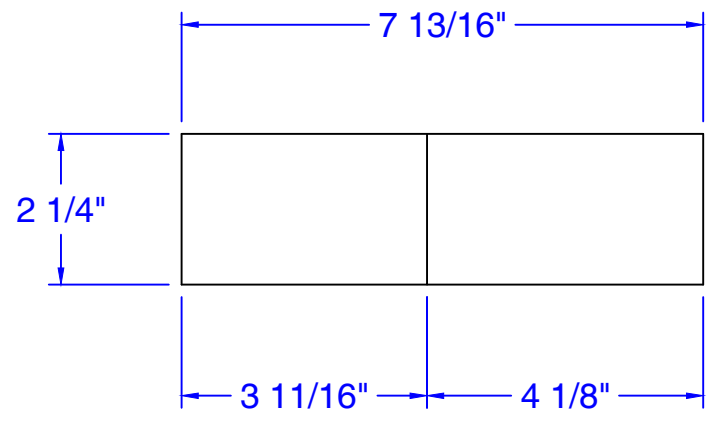
SIZE: _____ BOND: _____


ASTM STANDARD:

COMPUTER FILE:

DRAWN BY:

This document is the property of GLEN-GERY CORPORATION and may not be reproduced without written permission from the appropriate Glen-Gery Representative. The contents of this document are advisory only. Responsibility for accuracy and applicability lies entirely with the Project Designer and/or Owner.



 INDICATES FINISHED FACES