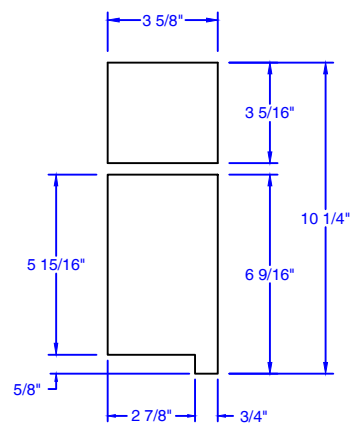


This document is the property of GLEN-GERY CORPORATION and may not be reproduced without written permission from the appropriate Glen-Gery Personnel. The contents of this document are advisory only. Responsibility for accuracy and applicability rests entirely with the Project Designer and / or Owner.

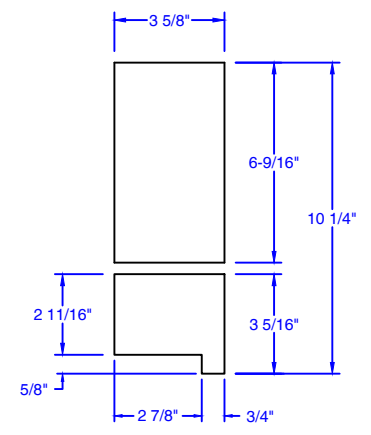


This drawing has been reviewed for dimensions, faces, and specifications and I agree to them.

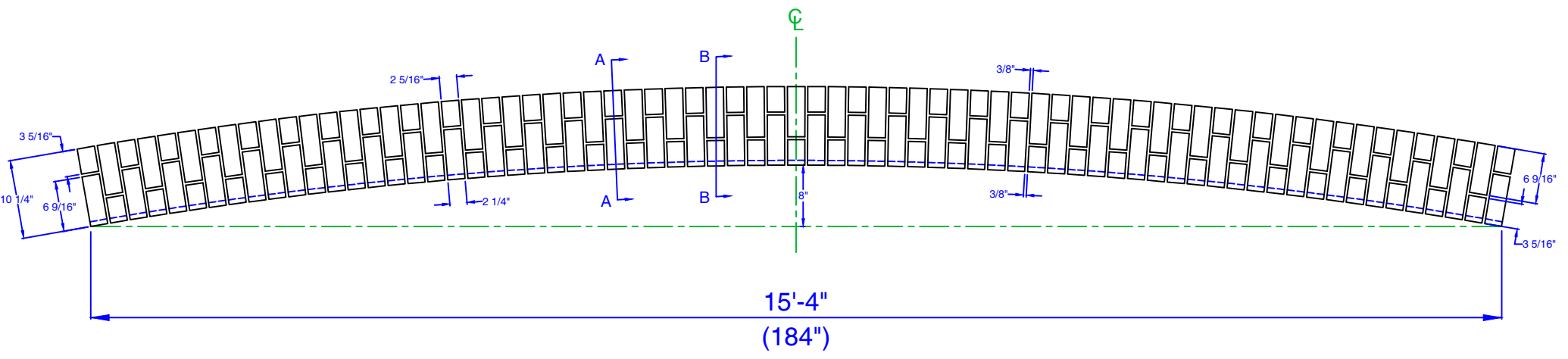
Signature \_\_\_\_\_ Date \_\_\_\_\_



SECTION A-A



SECTION B-B



ASTM STANDARD:	DRAWING: <b>15'-4" (184") SEGMENTAL JA2 ARCH WITH LIPPED BRICK</b>
TEXTURE:	PROJECT:

PLANT:	BRICK NAME:	SALES REP:
BRICK SIZE:	DATE:	BED DEPTH:
	DRAWN BY:	PCS. / ARCH: