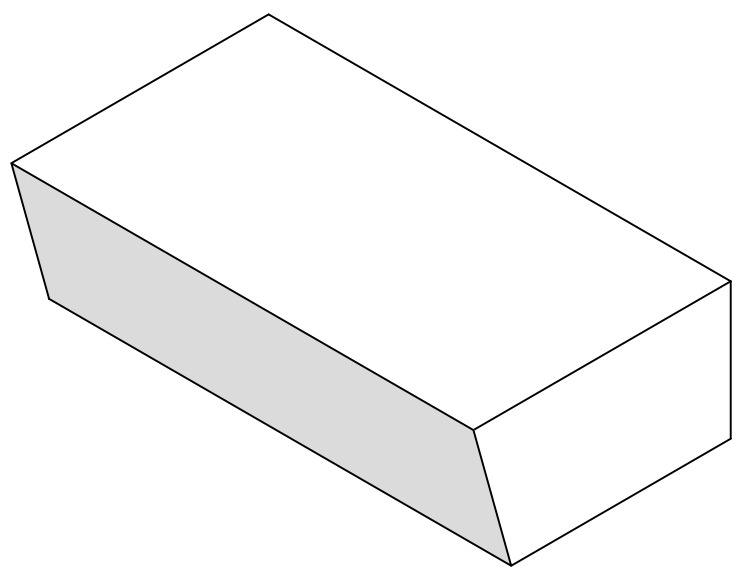
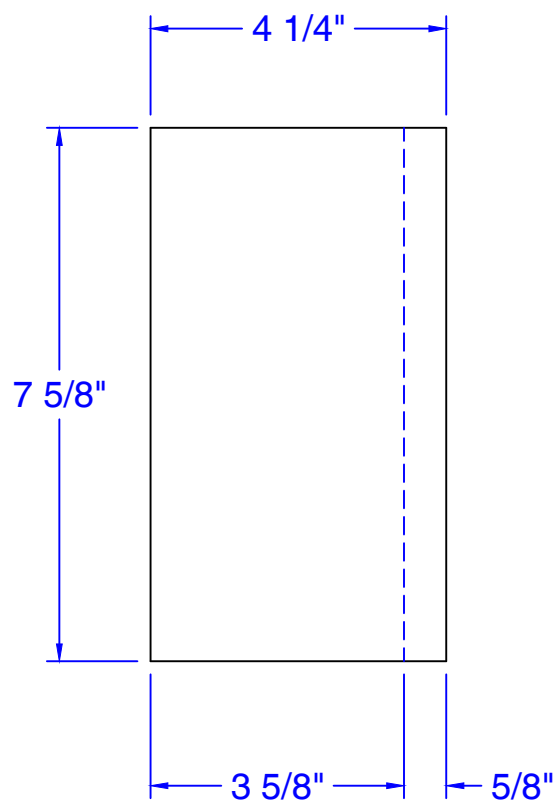
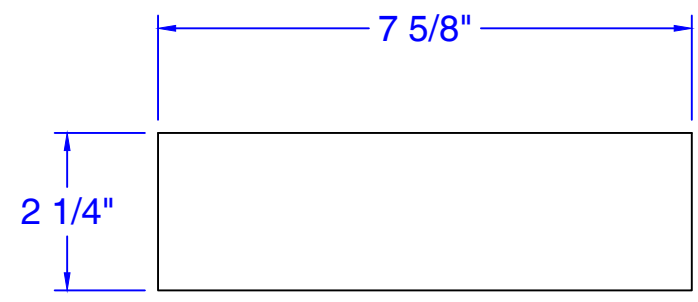
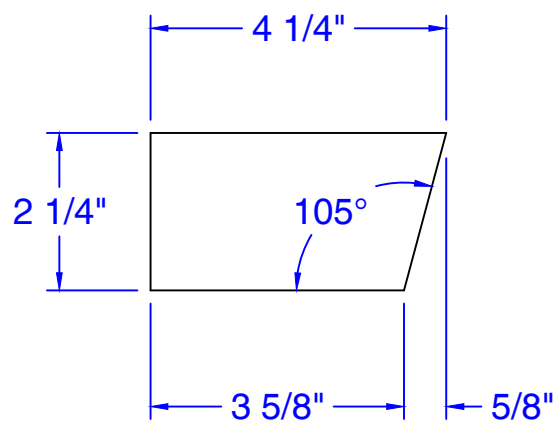


This drawing has been reviewed for dimensions, faces, and specifications and I agree to them.

Qty : _____

Signature _____ Title _____ Date _____



INDICATES FINISHED FACES

DRAWING:
**105° SLOPED FACE
STRETCHER UNIT**

PROJECT:

PAGE: **6** DATE: **19 DEC 19**

ARCHITECT:

CUSTOMER:

SALES REP:

SALES OFFICE:

PLANT:

BRICK NAME:

BRICK TYPE:

TEXTURE:

NUMBER OF FINISHED FACES: **1**

TEXTURE DIRECTION: **PLANT OPTION**

CORING: **PLANT OPTION**

SIZE: **MODULAR** BOND:

ASTM STANDARD: **C216, FBX, SW**

COMPUTER FILE:

DRAWN BY:

This document is the property of GLEN-GERY CORPORATION and may not be reproduced without written permission from the appropriate Glen-Gery Representative. The contents of this document are advisory only. Responsibility for accuracy and applicability lies entirely with the Project Designer and/or Owner.