

This drawing has been reviewed for dimensions, faces, and specifications and I agree to them.

Qty : _____

Signature _____ Title _____ Date _____



DRAWING:
**MODIFIED W1-H STD. MOD.
WATERTABLE HEADER**

PROJECT: _____
PAGE: _____ DATE: _____

ARCHITECT: _____

CUSTOMER: _____

SALES REP: _____

SALES OFFICE: _____

PLANT: _____

BRICK NAME: _____

BRICK TYPE: _____

TEXTURE: _____

NUMBER OF FINISHED FACES: _____

TEXTURE DIRECTION: _____

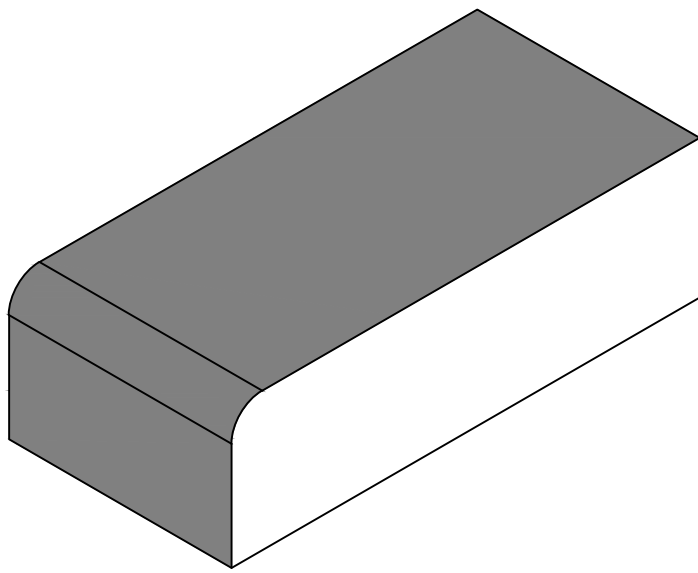
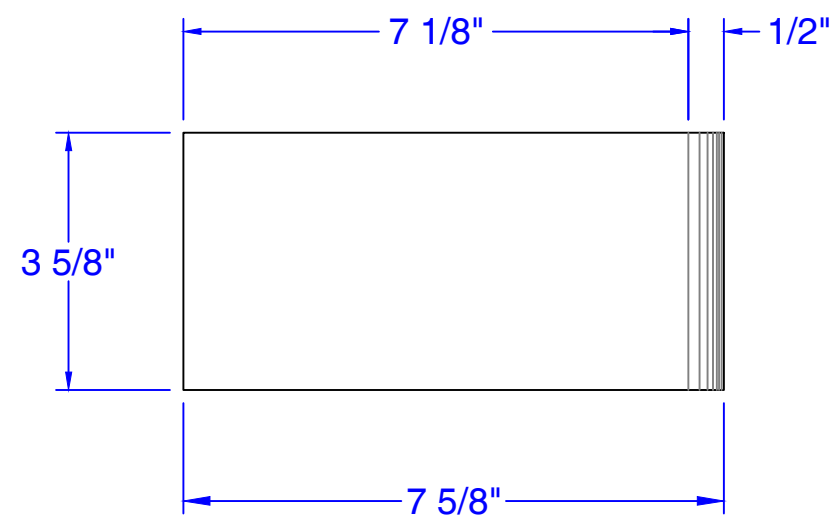
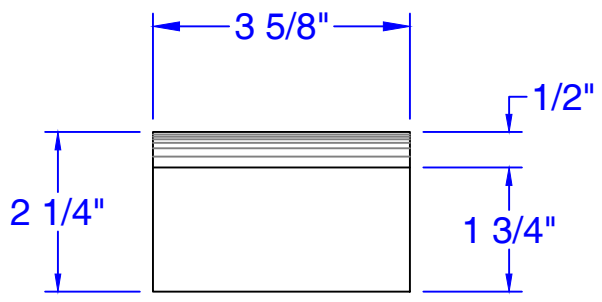
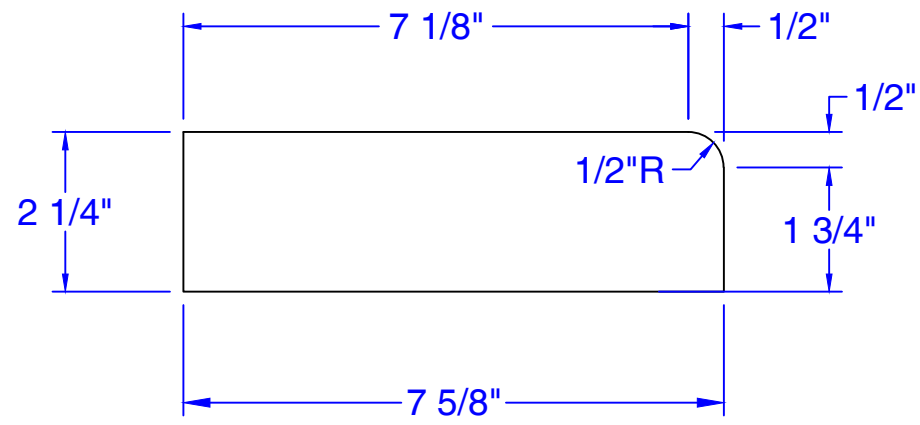
CORING: _____


SIZE: _____ BOND: _____

ASTM STANDARD: _____

COMPUTER FILE: _____

DRAWN BY: _____



 INDICATES FINISHED FACES

This document is the property of GLEN-GERY CORPORATION and may not be reproduced without written permission from the appropriate Glen-Gery Representative. The contents of this document are advisory only. Responsibility for accuracy and applicability lies entirely with the Project Designer and/or Owner.