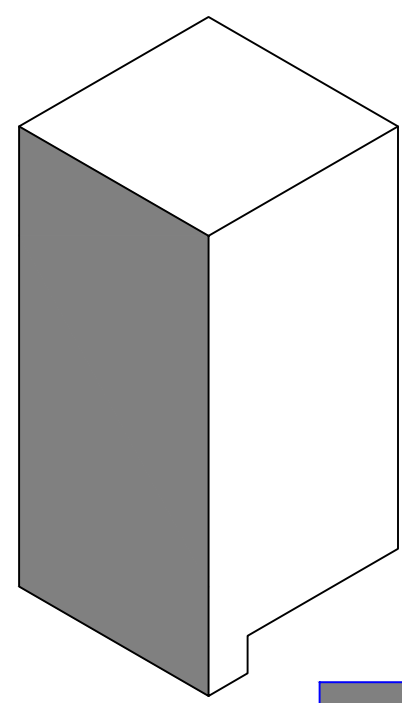
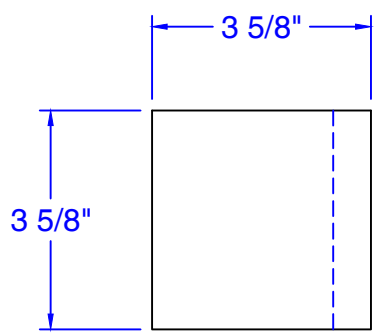
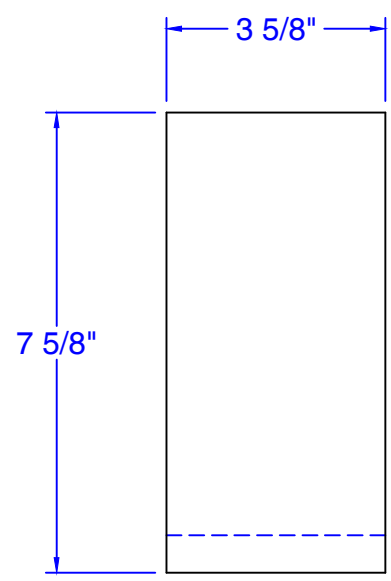
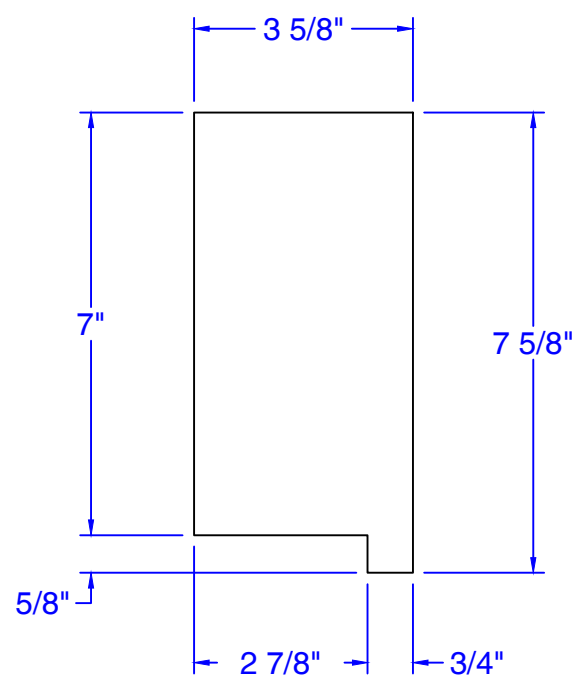



This drawing has been reviewed for dimensions, faces, and specifications and I agree to them.

Signature \_\_\_\_\_ Title \_\_\_\_\_ Date \_\_\_\_\_

Qty : \_\_\_\_\_

# CATALOG SHAPE



 INDICATES FINISHED FACES

DRAWING:  
**LP2-ECONO  
LIPPED SOLDIER UNIT**

PROJECT:

PAGE: \_\_\_\_\_ DATE: \_\_\_\_\_

ARCHITECT:

CUSTOMER:

SALES REP:

SALES OFFICE:

PLANT:

BRICK NAME:

BRICK TYPE:

TEXTURE:

NUMBER OF FINISHED FACES:

TEXTURE DIRECTION:

CORING:

SIZE: \_\_\_\_\_ BOND: \_\_\_\_\_

ASTM STANDARD: **C216, FBS, SW**

COMPUTER FILE:

DRAWN BY:

This document is the property of GLEN-GERY CORPORATION and may not be reproduced without written permission from the appropriate Glen-Gery Representative. The contents of this document are advisory only. Responsibility for accuracy and applicability lies entirely with the Project Designer and/or Owner.