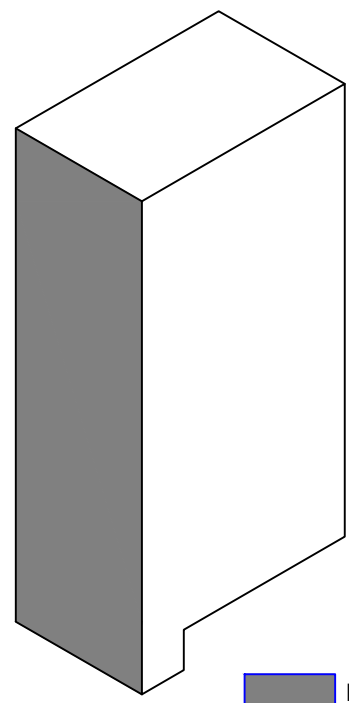
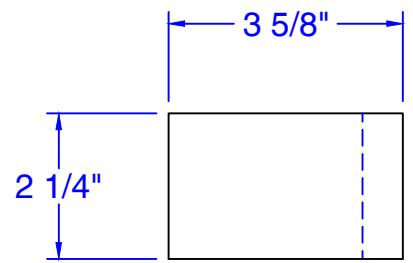
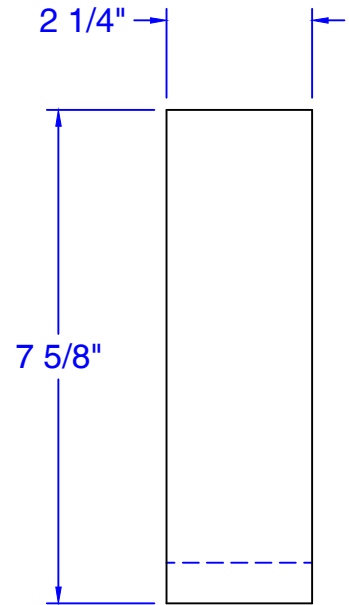
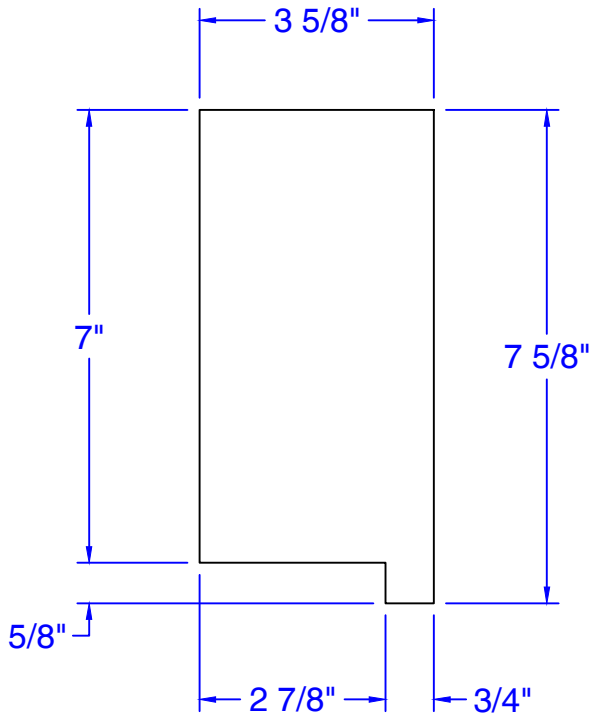



This drawing has been reviewed for dimensions, faces, and specifications and I agree to them.

Signature _____ Title _____ Date _____

Qty : _____

CATALOG SHAPE



 INDICATES FINISHED FACES

DRAWING: LP2 STD. MOD. LIPPED SOLDIER	
PROJECT:	
PAGE:	DATE:
ARCHITECT:	
CUSTOMER:	
SALES REP:	
SALES OFFICE:	
PLANT:	
BRICK NAME:	
BRICK TYPE:	
TEXTURE:	
NUMBER OF FINISHED FACES:	
TEXTURE DIRECTION:	
CORING:	
SIZE:	BOND:
ASTM STANDARD:	
COMPUTER FILE:	
DRAWN BY:	

This document is the property of GLEN-GERY CORPORATION and may not be reproduced without written permission from the appropriate Glen-Gery Representative. The contents of this document are advisory only. Responsibility for accuracy and applicability lies entirely with the Project Designer and/or Owner.