

This drawing has been reviewed for dimensions, faces, and specifications and I agree to them.

Qty : \_\_\_\_\_

Signature \_\_\_\_\_ Title \_\_\_\_\_ Date \_\_\_\_\_



DRAWING:  
**CURED FACE STRETCHER**  
11" x 3 1/8" x 2 1/4"

PROJECT:

PAGE: 1 DATE: 19 AUGUST 24

ARCHITECT:

CUSTOMER:

SALES REP:

SALES OFFICE:

PLANT: MID-ATLANTIC

BRICK NAME:

BRICK TYPE: MOLDED

TEXTURE: SAND

NUMBER OF FINISHED FACES: 1

TEXTURE DIRECTION: PLANT OPTION

CORING: PLANT OPTION

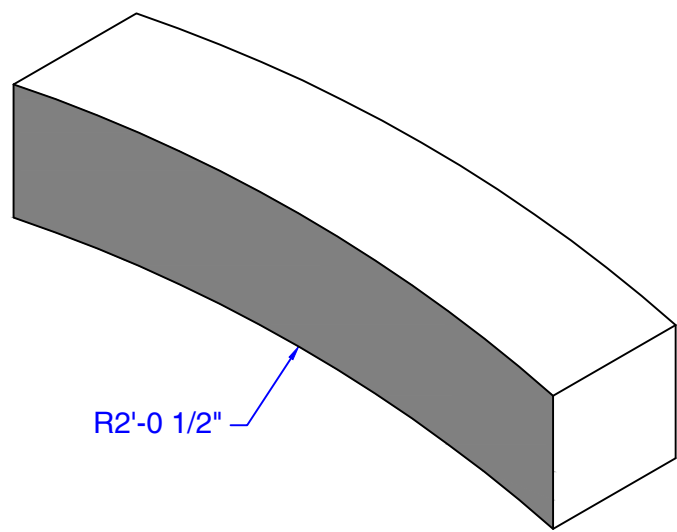
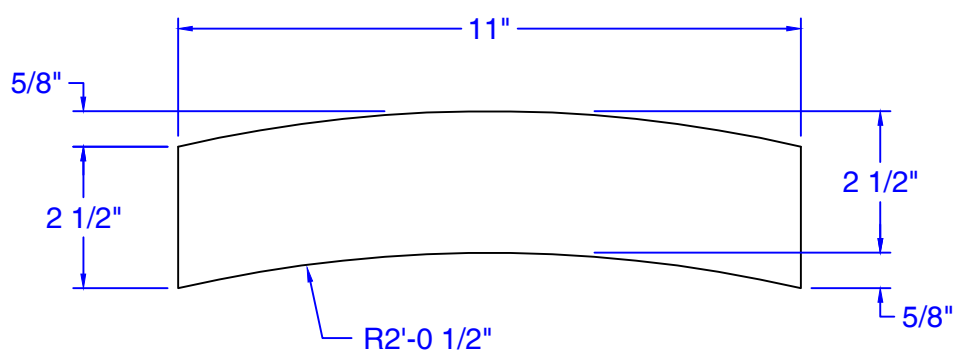
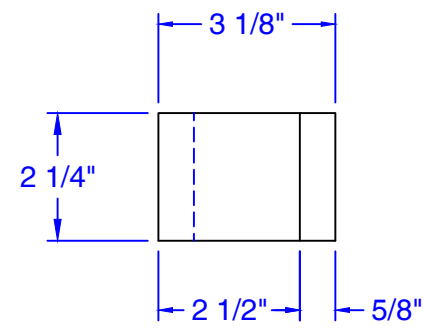
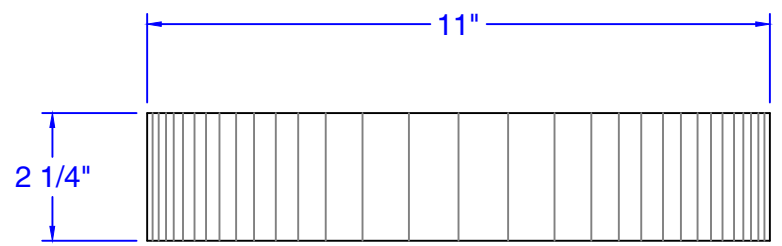
SIZE: STD. MOD. BOND:

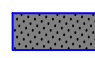
ASTM STANDARD:

COMPUTER FILE: Y824XX1

DRAWN BY: KEVIN LINDSTROM

This document is the property of GLEN-GERY CORPORATION and may not be reproduced without written permission from the appropriate Glen-Gery Representative. The contents of this document are advisory only. Responsibility for accuracy and applicability lies entirely with the Project Designer and/or Owner.



 INDICATES FINISHED FACES