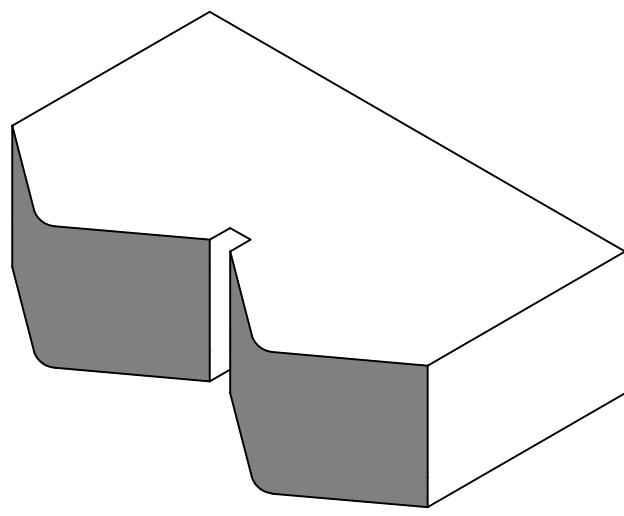
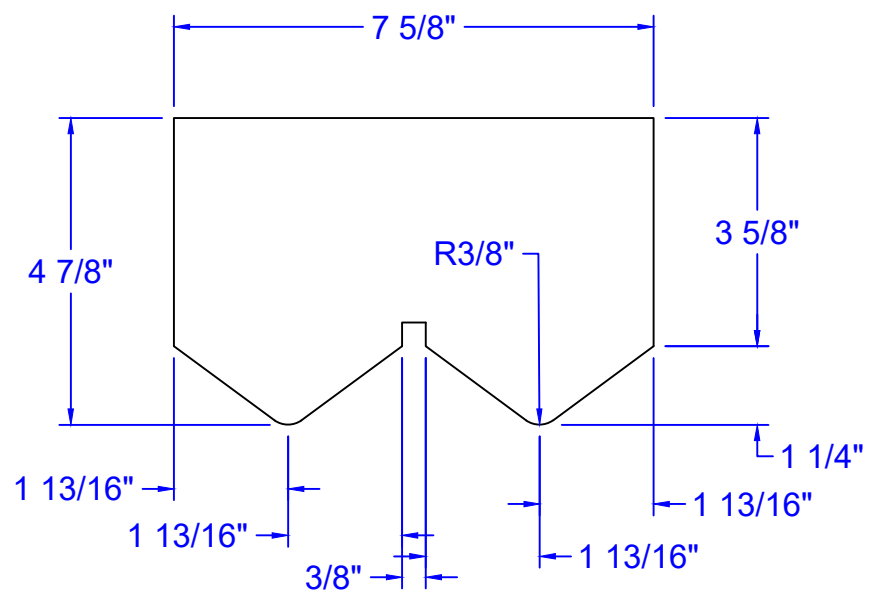
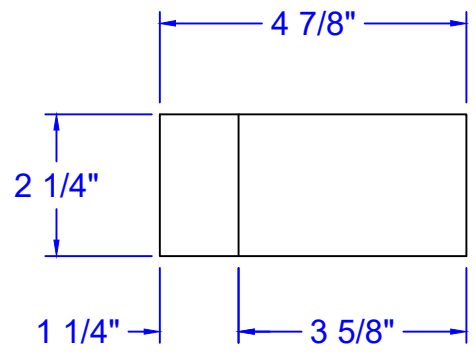
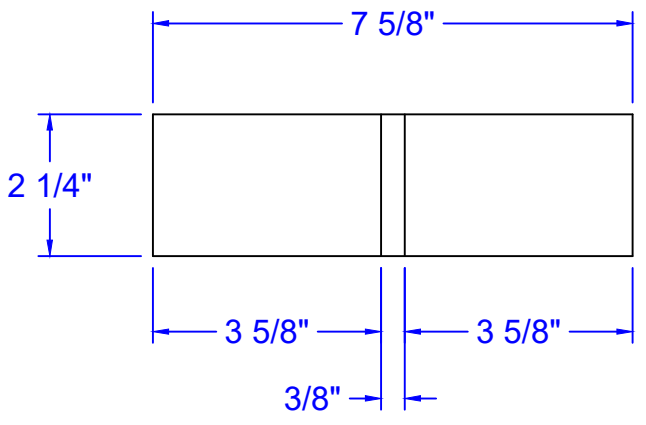


This drawing has been reviewed for dimensions, faces, and specifications and I agree to them.

Qty : _____

Signature _____ Title _____ Date _____



DRAWING:
POINTED STRETCHER
7 5/8" 4 7/8" x 2 1/4"

PROJECT:
SHAPES CONTEST WINNER

PAGE: 2 DATE: 19 AUGUST 24

ARCHITECT:

CUSTOMER:

SALES REP:

SALES OFFICE:

PLANT: MID-ATLANTIC

BRICK NAME:

BRICK TYPE: MOLDED

TEXTURE: SAND

NUMBER OF FINISHED FACES: 2

TEXTURE DIRECTION: PLANT OPTION

CORING: PLANT OPTION


SIZE: STD. MOD. BOND:

ASTM STANDARD:

COMPUTER FILE: Y824XX2

DRAWN BY: KEVIN LINDSTROM

This document is the property of GLEN-GERY CORPORATION and may not be reproduced without written permission from the appropriate Glen-Gery Representative. The contents of this document are advisory only. Responsibility for accuracy and applicability lies entirely with the Project Designer and/or Owner.

 INDICATES FINISHED FACES