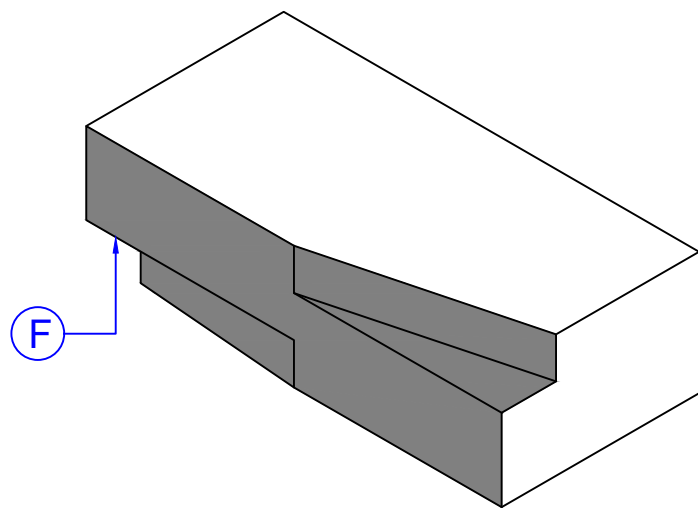
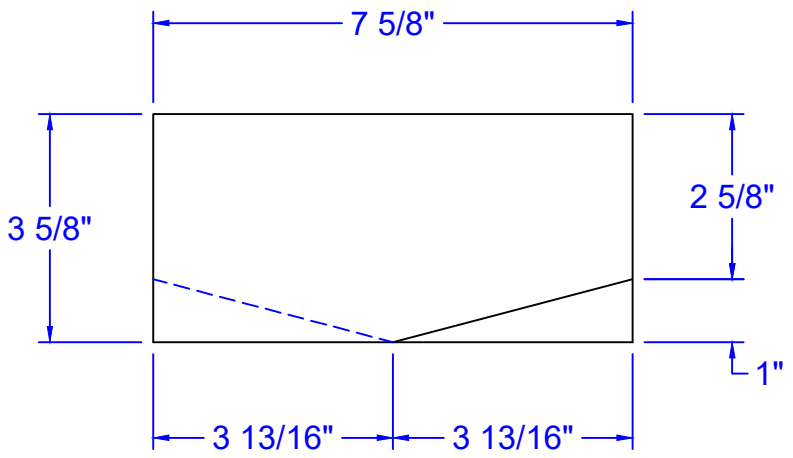
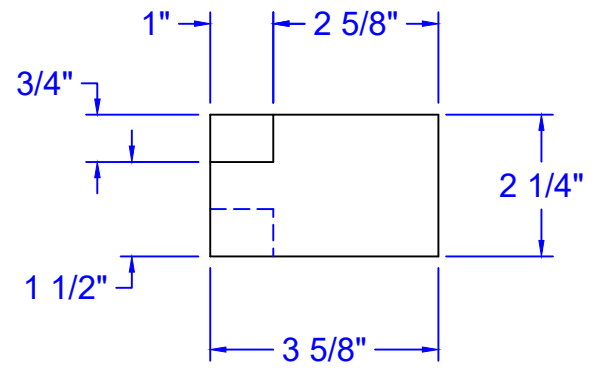
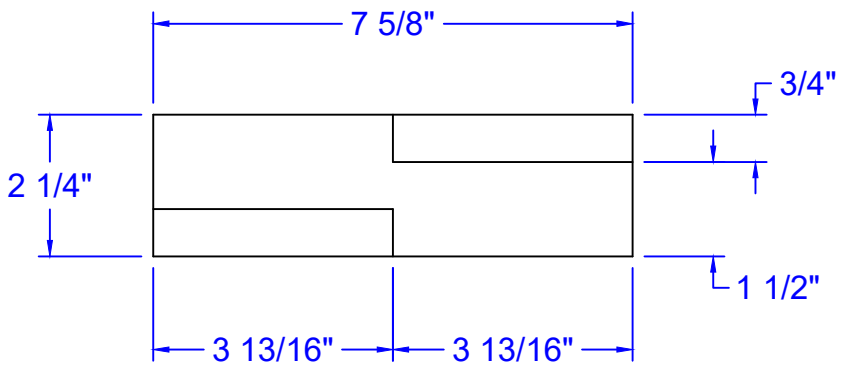



This drawing has been reviewed for dimensions, faces, and specifications and I agree to them.

Qty : _____

Signature _____ Title _____ Date _____



 INDICATES FINISHED FACES

DRAWING: **WEAVER STRETCHER**
7 5/8" x 3 5/8" x 2 1/4"

PROJECT: **SHAPES CONTEST WINNER**

PAGE: 4 DATE: 19 AUGUST 24

ARCHITECT:

CUSTOMER:

SALES REP:

SALES OFFICE:

PLANT: **MID-ATLANTIC**

BRICK NAME:

BRICK TYPE: **MOLDED**

TEXTURE: **SAND**

NUMBER OF FINISHED FACES: 5

TEXTURE DIRECTION: **PLANT OPTION**

CORING: **PLANT OPTION**

SIZE: **STD. MOD.** BOND:

ASTM STANDARD:

COMPUTER FILE: **Y824XX4**

DRAWN BY: **KEVIN LINDSTROM**

This document is the property of GLEN-GERY CORPORATION and may not be reproduced without written permission from the appropriate Glen-Gery Representative. The contents of this document are advisory only. Responsibility for accuracy and applicability lies entirely with the Project Designer and/or Owner.